

The price list of heat pumps
 01-09-2024

HYDRABLOCK COMPACT,
 the new heat pump
 by Italtherm

- ✓ *More compact*
- ✓ *Lighter*
- ✓ *More efficient*



	Prices	
	Retail, VAT is included, €	
SINGLE-phase heat pumps		
<u>“ITALTHERM HYDRABLOCK“ 5</u> (6.5 kW)		3260
<u>“ITALTHERM HYDRABLOCK“ 7</u> (8.4 kW)		3470
<u>“ITALTHERM HYDRABLOCK“ 9</u> (10 kW)		3760
<u>“ITALTHERM HYDRABLOCK“ 12</u> (12.2 kW)		5020
<u>“ITALTHERM HYDRABLOCK“ 14</u> (14.1 kW)		5230
<u>“ITALTHERM HYDRABLOCK“ 16</u> (16 kW)		5300

	Prices	
	Retail, VAT is included, €	
THREE-phase heat pumps		
<u>“ITALTHERM HYDRABLOCK“ 12T</u> (12.2 kW)		5200
<u>“ITALTHERM HYDRABLOCK“ 14T</u> (14.1 kW)		5280
<u>“ITALTHERM HYDRABLOCK“ 16T</u> (16 kW)		5640
<u>“ITALTHERM HYDRABLOCK“ 22T</u> (22 kW)		8180
<u>“ITALTHERM HYDRABLOCK“ 30T</u> (30 kW)		8670

TECHNICAL DATA		U.M.	HYDRABLOCK COMPACT								
Model			5M	7M	9M	12M	14M	16M	12T	14T	16T
HEATING PERFORMANCE (EN 14511)											
External temp. 7°C (d.b.), R.H. 85%, Water temp. 35/30°C	Heat output	kW	6,5	8,4	10	12,2	14,1	16	12,2	14,1	16
	Electrical power	kW	1,22	1,66	2,12	2,49	3	3,55	2,49	3	3,55
	COP	W/W	5,3	5,05	4,7	4,9	4,7	4,5	4,9	4,7	4,5
External temp. 7° C bs, R.H. 85%, Water temp. 45 / 40° C	Heat output	kW	6,6	8,5	10,2	12,5	14,5	16,2	12,5	14,5	16,2
	Electrical power	kW	1,65	2,23	2,79	3,37	4,08	4,69	3,37	4,08	4,69
	COP	W/W	4	3,8	3,65	3,7	3,55	3,45	3,7	3,55	3,45
External temp. 7° C bs, R.H. 85%, Water temp. 55 / 47° C	Heat output	kW	6,3	8,2	9,4	12	14	16	12	14	16
	Electrical power	kW	1,96	2,60	3,03	4	4,74	5,61	4	4,74	5,61
	COP	W/W	3,20	3,15	3,10	3	2,95	2,85	3	2,95	2,85
COOLING PERFORMANCE (EN 14511)											
External temp. 35° C bs, Water temp. 18 / 23° C	Cooling power	kW	6,5	8,3	10	12,2	13,9	15,4	12,2	13,9	15,4
	Electrical power	kW	1,27	1,71	2,32	2,65	3,15	3,66	2,65	3,15	3,66
	EER	W/W	5,1	4,85	4,30	4,60	4,40	4,20	4,60	4,40	4,20
External temp. 35° C bs, Water temp. 7 / 12° C	Cooling power	kW	5,5	7,4	9	11,6	13,4	14	11,6	13,4	14
	Electrical power	kW	1,69	2,34	3,1	3,74	4,57	4,82	3,74	4,57	4,82
	EER	W/W	3,25	3,15	2,90	3,1	2,93	2,9	3,1	2,93	2,9
DIMENSIONS AND WEIGHT											
Dimensions (w x h x d)		mm	1040 x 865 x 410								
Weight		kg	87			106			120		
REFRIGERANT CIRCUIT											
Compressor			Twin rotary DC inverter								
Air exchanger			Stainless steel plates								
Gas type			R32								
GWP			675								
Gas content		kg	1,25			1,8					
FAN											
Number of fans			1								
Air flow		m³/h	3900	4500			5200				
Fan Motor type			Brushless DC inverter								
HYDRAULIC CIRCUIT											
Safety valve intervention pressure		bar	3								
Expansion vessel		l	5								
Safety flow switch activation		m³/h	0,36			0,6					
Hydraulic connections			1"			1" 1/4					
SOUND POWER AND PRESSURE †											
Sound power‡		dB(A)	60	63	65	70	72	72	70	72	72
ELECTRICAL DATA											
Power supply		W/Ph/Hz	230 - 1 - 50						400 - 3 - 50		
Rated operating current		A	13	14,5	16	25	26,5	28	9,5	10,5	11,5
Min. Power cable section		mm²	3 x 4			3 X 6			5 x 2,5		
Differential switch			Type F						Type B		

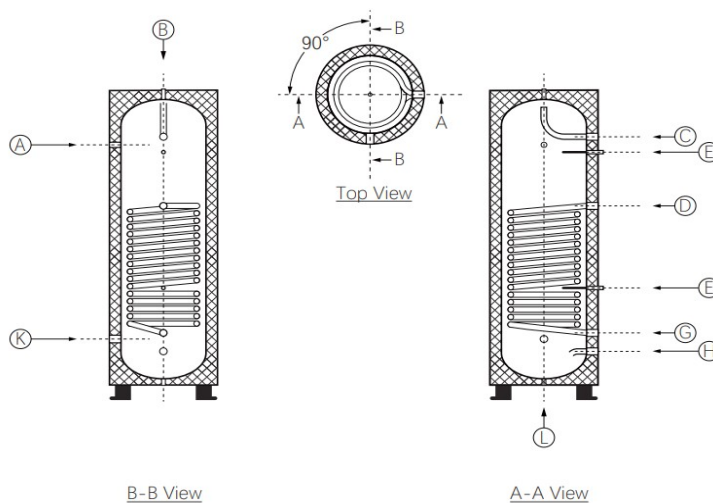
1. The data refer according to the directives: EN14511; EN14825; EN50564; EN12102; (EU) No.811/2013; (EU)No.813/2013; OJ 2014/C 207/02.

2. The acoustic test according to EN12102-1

Buy a pump and get a **FREE room temperature controller "Falcore" or an electric 2 kW heater with a thermostat !**

Buy a set of a heat pump with a boiler or a multifunctional tank and get a **FREE wireless room thermostat "Falcore" and a 3 kW electric heater with a thermostat !**

“Norwian“ MWT-C stainless steel DHW boilers for heat pumps



No.	Connection Name	Specification
A	For T/P valve	G3/4"-F
B	For air vent	G1/2"-F
C	Hot water out	G1"-F
D	Heat exchanger coil inlet	G1"-F
E	Probe tube	G3/8"-F
G	Heat exchanger coil outlet	G1"-F

No.	Connection Name	Specification
H	Cold water inlet	G1"-F
K	For electric heater	G1-1/2"-F
L	Drainage	G1/2"-F


Description :

Detailing			DHW boilers		
			MWT-150/C 150 L	MWT-200/C 200 L	MWT-300/C 300L
Outer casing	Meaterial	--	Galvanized steel	Galvanized steel	Galvanized steel
	Color	--	White	White	White
	Diameter	mm	Ø 470	Ø 520	Ø 560
	Heigth	mm	1470	1550	1870
Thermal insulation	Material	--	Polyurethane	Polyurethane	Polyurethane
	Thickness	mm	50	50	50
Internal capacity	Stainless steel brand	--	SUS 304	SUS 304	SUS 304
	Diameter	mm	Ø 370	Ø 420	Ø 470
Heat exchanger	Heat exchanger type	--	Corrugated	Corrugated	Corrugated
	Stainless steel brand	--	SUS 304	SUS 304	SUS 304
	Heat exchanger diameter	mm	Ø25	Ø25	Ø25
	Heat exchanger area	m ²	1,5	2	3
	Connection diameter	in	G1"-F	G1"-F	G1"-F
	Heat exchanger length	m	15	20	30
	Max. working pressure	bar	8	8	8
	Max. hot water temp.	°C	85	85	85
In the standart set	Plastic legs	unit	3	3	3
	Temp. sensors	unit	2	2	2

Note :

It is recommended to install a magnetic particle filter on the water supply pipe.

Prices :

Models	Prices	
	Retail, VAT is included, €	
MWT-150/C (150 L) “Norwian“ stainless steel DHW boilers	1030	
MWT-200/C (200 L) “Norwian“ stainless steel DHW boilers	1150	
MWT-300/C (300L) “Norwian“ stainless steel DHW boilers	1280	
	2 kW	110
	3 kW	150

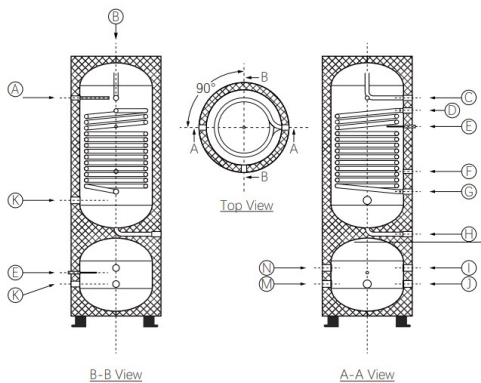
“Norwian“ MWT stainless steel multifunctional TANKS for heat pumps



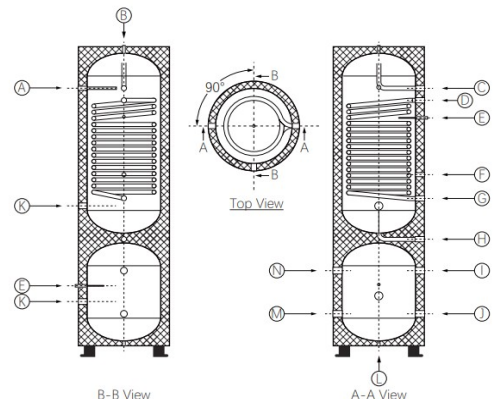
Pressurized Water Tank
 Model: MWT-200
 Capacity: 150+30Liter
 Max. working pressure: 8 bar
 Max. hot water temp: 85°C
 Coil heat exchanger: SUS316L
 Coil diameter: 25mm
 Coil length: 15m



Pressurized Water Tank
 Model: MWT-300
 Capacity: 200+80Liter
 Max. working pressure: 8 bar
 Max. hot water temp: 85°C
 Coil heat exchanger: SUS316L
 Coil diameter: 25mm
 Coil length: 20m



No.	Connection Name	Specification	No.	Connection Name	Specification
A	Magnesium Anode	G3/4"-F	H	Cold water inlet	G1"-F
B	For air vent	G1/2"-F	I	A/C water out	G1-1/4"-F
C	Hot water out	G1"-F	J	A/C water inlet	G1-1/4"-F
D	Heat exchanger coil inlet	G1"-F	K	For electric heater	G1-1/2"-F
E	Probe tube	G1/2"-F	L	Drainage	G1/2"-F
F	Hot water cycling	G3/4"-F	N	Heat source water outlet	G1-1/4"-F
G	Heat exchanger coil outlet	G1"-F	M	Heat source water inlet	G1-1/4"-F



No.	Connection Name	Specification	No.	Connection Name	Specification
A	Magnesium Anode	G3/4"-F	H	Cold water inlet	G1"-F
B	For air vent	G1/2"-F	I	A/C water out	G1-1/4"-F
C	Hot water out	G1"-F	J	A/C water inlet	G1-1/4"-F
D	Heat exchanger coil inlet	G1"-F	K	For electric heater	G1-1/2"-F
E	Probe tube	G1/2"-F	L	Drainage	G1/2"-F
F	Hot water cycling	G3/4"-F	N	Heat source water outlet	G1-1/4"-F
G	Heat exchanger coil outlet	G1"-F	M	Heat source water inlet	G1-1/4"-F

Description :

Detailing			Tanks	
			MWT-200 150/30 L	MWT-300 200/80 L
Outer casing	Material	---	Galvanized steel	Galvanized steel
	Color	---	White	White
	Diameter	mm	Ø 560	Ø 560
	Height	mm	1550	1870
Thermal insulation	Material	---	Polyurethane	Polyurethane
	Thickness	mm	45	45
DHW tank	Capacity	L	150	200
	Stainless steel brand	---	SUS 304	SUS 304
	Steel thickness	mm	1.5	1.5
	Diameter	mm	Ø 470	Ø 470
Bufer tank Diameter	Capacity	L	30	80
	Stainless steel brand	---	SUS 304	SUS 304
	Diameter	mm	Ø 470	Ø 470
Heat exchanger	Heat exchanger type	---	Corrugated	Corrugated
	Stainless steel brand	---	SUS 316L	SUS 316L
	Heat exchanger diameter	mm	Ø 25	Ø 25
	Heat exchanger area	m ²	1.5	2
	Connection diameter	in	G1"-F	G1"-F
	Heat exchanger length	m	15	20
In the standart set	Plastic legs	unit	3	3
	Temp. sensors	unit	2	2
	Electric heater is in standard equipment !!!	kW	3 kW	3 kW

Note :

It is recommended to install a magnetic particle filter on the water supply pipe.

Prices :

Models	Prices
	Retail, VAT is included, €
“Norwian“ stainless steel DHW tanks with 3kW heater MWT-200 (150/30 L)	1385
“Norwian“ stainless steel DHW tanks with 3kW heater MWT-300 (200/80 L)	1715

“ITALTHERM“ distributor in Lithuania, Latvia, Estonia

UAB “Abara Group”

Ofisas : Kuoknesės street No 12, Kaunas, LT-48199 Lithuania

Mob. +370 67087055 ; **e-mail:** info@abaragroup.eu

www.italthermkatilai.lt; www.norwian.eu; www.abaragroup.eu



